



IMPORTANT FOR FUTURE REFERENCE
 Please complete this information and retain this manual for the life of the equipment:

Model #: _____
 Serial #: _____
 Date Purchased: _____

PLATINUM SERIES ELECTRIC CONVECTION OVEN PARTS MANUAL

SINGLE	
STANDARD	TOUCHSCREEN
PCG75S/S	PCG75S/T
PCG75B/S	PCG75B/T
PCG11S/S	PCG11S/T
PCG11B/S	PCG11B/T

DOUBLE	
STANDARD	TOUCHSCREEN
PCG15S/S	PCG15S/T
PCG15B/S	PCG15B/T
PCG22S/S	PCG22S/T
PCG22B/S	PCG22B/T



Model PCE75S/T



Model PCE15S/T

SOUTHBEND
 MIDDLEBY A Middleby Company
 1100 Old Honeycutt Road Fuquay-Varina, North Carolina 27526 USA
 www.southbendnc.com



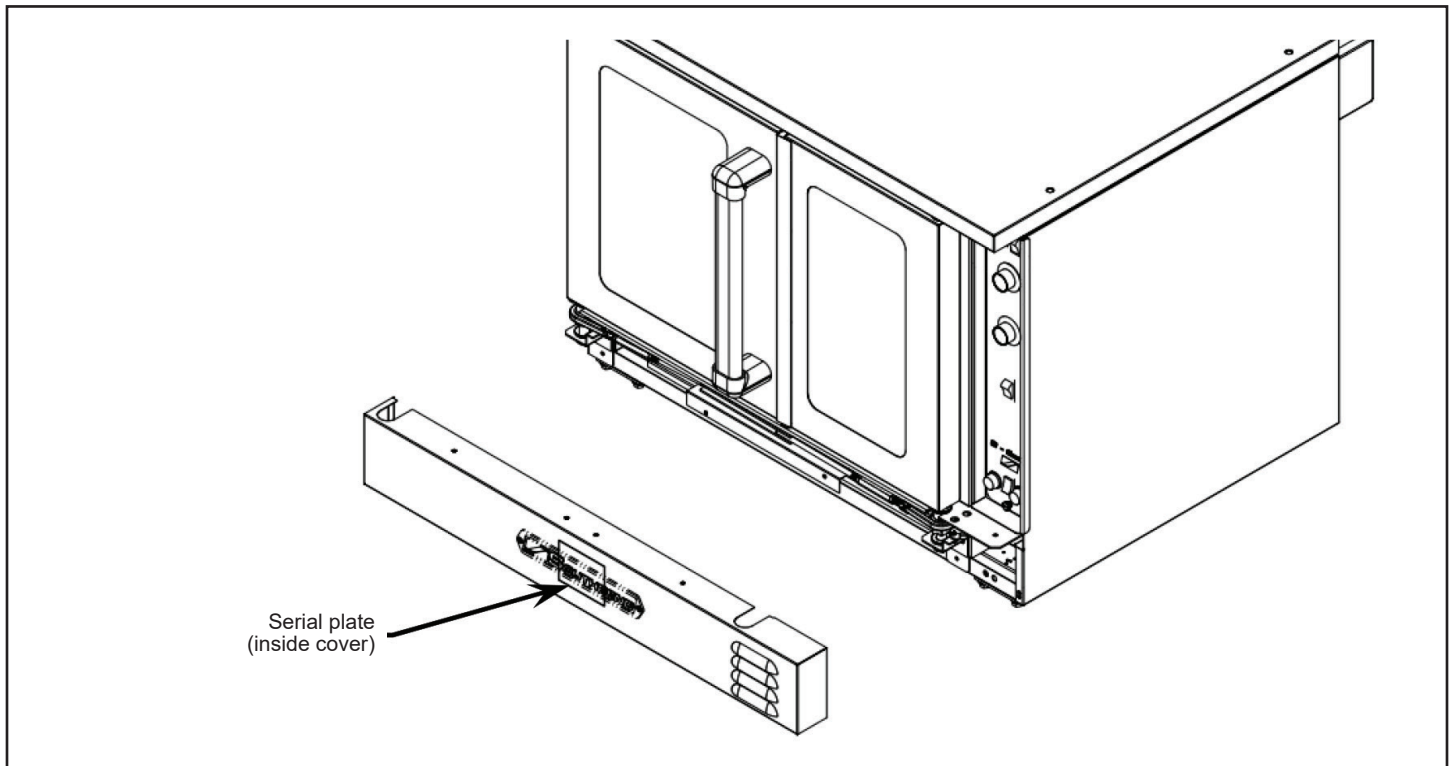


INFORMATION

Replacement parts may be ordered either through a Southbend Authorized Parts Distributor or a Southbend Authorized Service Agency. It is recommended to verify part numbers with a Southbend Authorized Parts Supplier or the Southbend Parts/Service Dept. prior to ordering parts.

When ordering parts, you will need to supply the Model Number, Serial Number, Part Number, Description, Finish, and Electrical Characteristics as applicable to the unit.

The serial plate is located on the interior side of the lower front panel, as shown below.



The following table lists the electricity supply requirements PER OVEN (double for dual-oven models).

Supply Voltage	Oven Component	Total kW	3-Phase Loading (kW/phase)			Nominal Amperes per Line-Wire 3-Phase				Minimum Supply Wire (AWG) Size	
			L1-L2	L2-L3	L1-L3	L1	L2	L3	1-Phase Total	3-Phase	1-Phase
480	Heating Elements	7.5	2.50	2.50	2.50	9.10	9.10	9.10	15.70	12	10
	Motor & Controls	0.90	0.00	0.00	0.90	2.20	0.00	2.20	2.20		
415	Heating Elements	7.5	2.50	2.50	2.50	10.50	10.50	10.50	31.30	12	8
	Motor & Controls	0.90	0.00	L3-N	0.90	0.00	0.00	3.80	3.80		
380	Heating Elements	7.5	2.50	2.50	2.50	11.40	11.40	11.40	19.80	12	10
	Motor & Controls	0.90	0.00	L3-N	0.90	0.00	0.00	4.10	4.10		
240	Heating Elements	7.5	2.50	2.50	2.50	18.10	18.10	18.10	31.30	10	8
	Motor & Controls	0.90	0.00	0.00	0.90	3.80	0.00	3.80	3.80		
220	Heating Elements	6.3	2.10	2.10	2.10	16.60	16.60	16.60	27.30	10	8
	Motor & Controls	0.90	0.00	0.00	0.90	4.10	0.00	4.10	4.10		
208	Heating Elements	7.5	2.50	2.50	2.50	20.90	20.90	20.90	36.10	8	8
	Motor & Controls	0.90	0.00	0.00	0.90	4.30	0.00	4.30	4.30		

Supply Voltage	Oven Component	Total kW	3-Phase Loading (kW/phase)			Nominal Amperes per Line-Wire 3-Phase				Minimum Supply Wire (AWG) Size	
			L1-L2	L2-L3	L1-L3	L1	L2	L3	1-Phase Total	3-Phase	1-Phase
480	Heating Elements	11.00	3.67	3.67	3.67	13.3	13.3	13.3	23	12	10
	Motor & Controls	0.90	0.00	0.00	0.90	2.2	0.0	2.2	2.2		
415	Heating Elements	11.00	3.67	3.67	3.67	15.4	15.4	15.4	45.9	12	6
	Motor & Controls	0.90	0.00	L3-N	0.90	0.0	0.0	3.8	3.8		
380	Heating Elements	11.00	3.67	3.67	3.67	16.8	16.8	16.8	29	12	8
	Motor & Controls	0.90	0.00	L3-N	0.90	0.0	0.0	4.1	4.1		
240	Heating Elements	11.00	3.67	3.67	3.67	26.5	26.5	26.5	45.9	8	6
	Motor & Controls	0.90	0.00	0.00	0.90	3.8	0.0	3.8	3.8		
220	Heating Elements	9.25	3.10	3.10	3.10	24.3	24.3	24.3	42.1	8	6
	Motor & Controls	0.90	0.00	0.00	0.90	4.1	0.0	4.1	4.1		
208	Heating Elements	11.00	3.67	3.67	3.67	30.6	30.6	30.6	52.9	8	4
	Motor & Controls	0.90	0.00	0.00	0.90	4.3	0.0	4.3	4.3		

An electrical diagram is located on the side of the control panel assembly (see drawing on page 5). Electrical diagrams can also be found in the Operator's manual.

The appliance, when serviced, must be electrically grounded in accordance with local codes, or in the absence of local codes, with the *National Electrical Code, ANSI/NFPA 70*, or the *Canadian Electrical Code, CSA C22.2*, as applicable.

Use 167 °F (75 °C) wire for all supply lines.

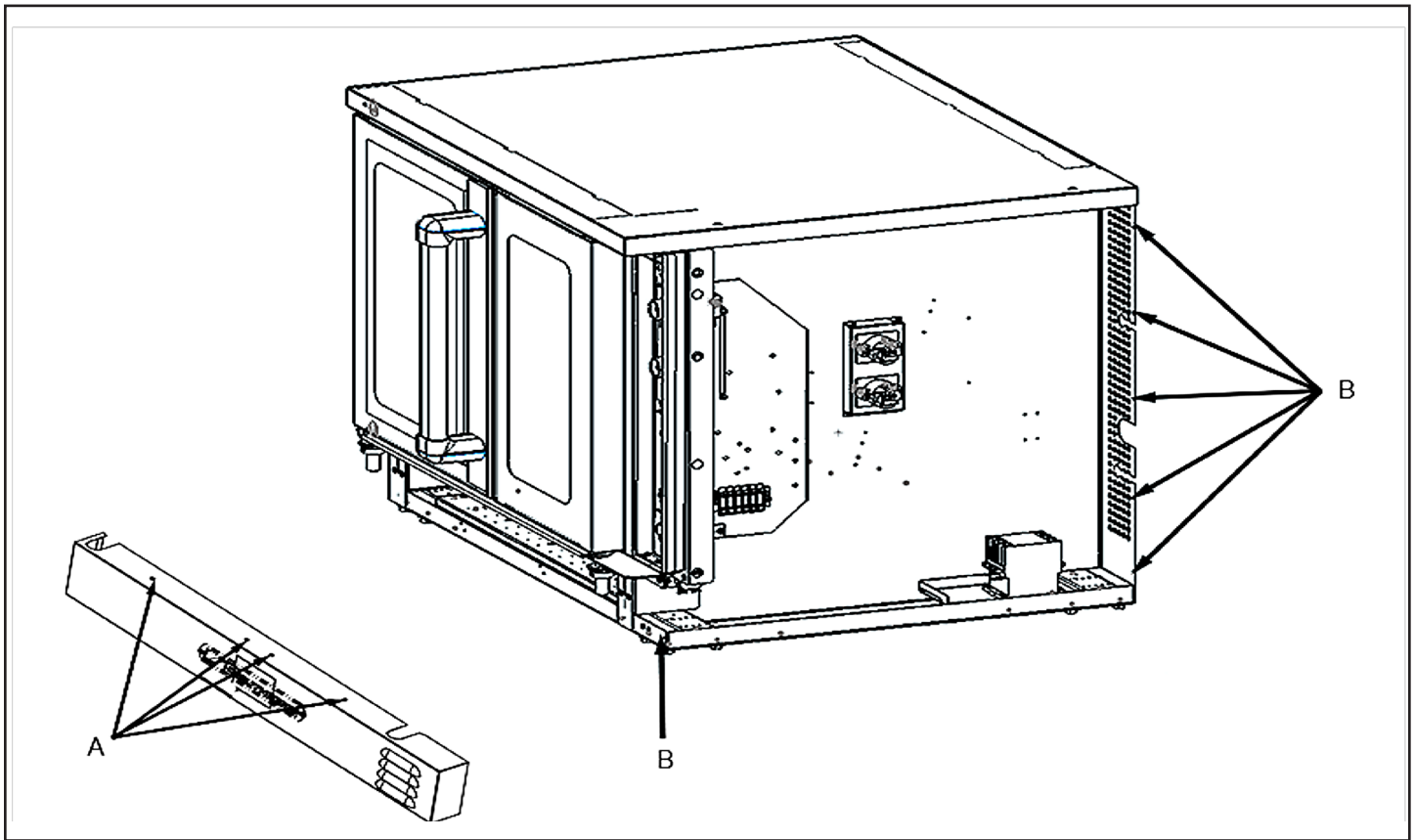
Ovens are shipped wired for either single-phase or three-phase operation, depending on which was specified on the factory order. If necessary an oven can be field-converted. Reference Operator's Manual for wiring connection information.

The electrical connections are made directly to the terminals of the heating-element contactor, which is located inside the control-panel compartment on the right side of the oven. A circular opening sized for a strain-relief fitting is located on the back of the oven near the right side (on right as seen from the front of the oven, see illustration on page 4). Models with two stacked ovens have a separate electrical connection for each oven.



CONNECTING ELECTRICAL SUPPLY

The following drawing shows the locations of items for the 208-240V electrical supply. Reference Owners manual for other voltage options.



ELECTRICAL CONNECTION ACCESS

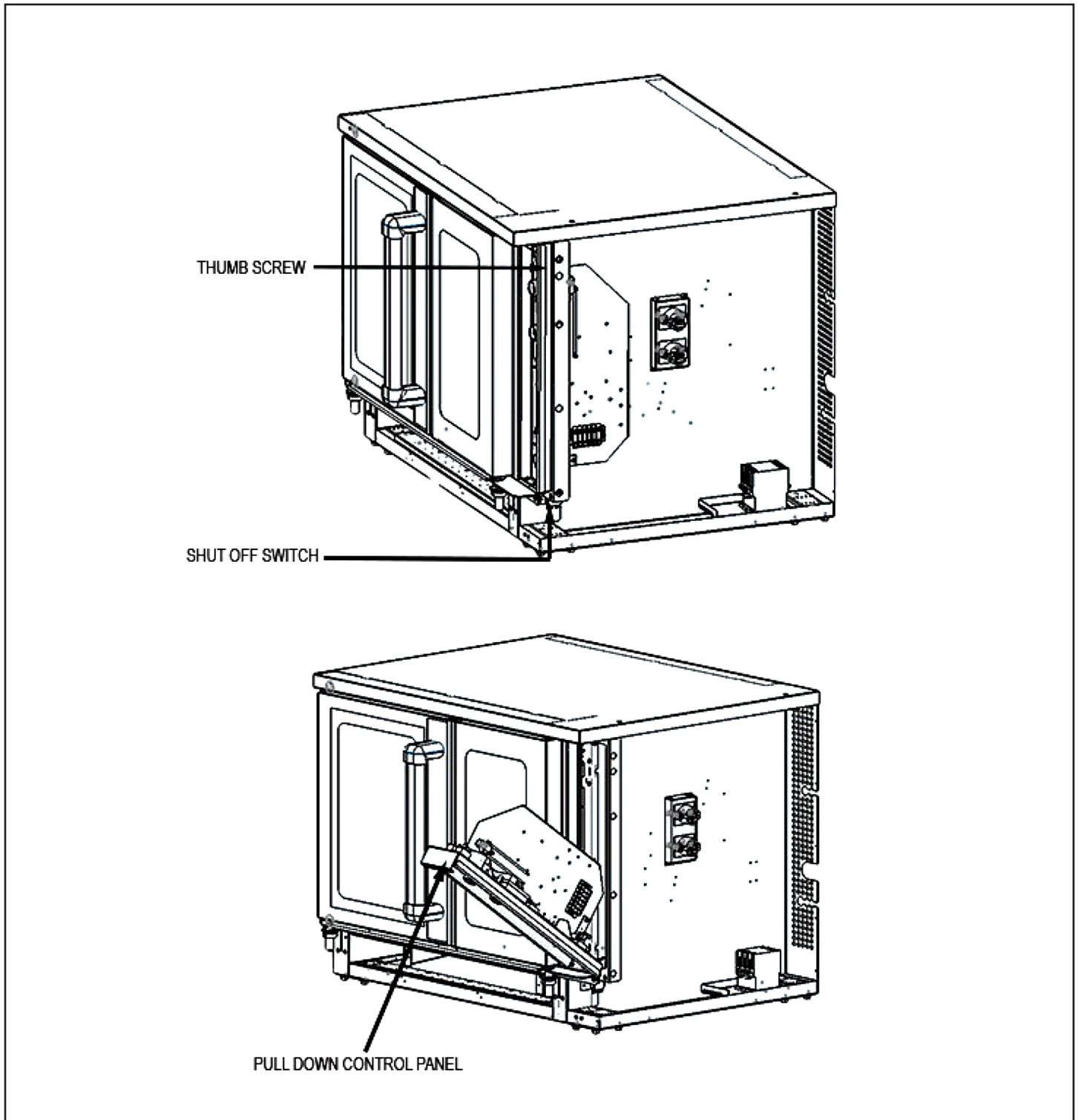
1. **CHECK THAT THE POWER SUPPLY CIRCUIT BREAKER IS OPEN.**
2. Locate and remove the four screws that secure the lower front panel (items "A" in the drawing above). Lift up the panel and pull it forward to remove it, then set it aside.
3. Locate and remove the front screw (item "B" in the drawing above), that secures the lower front corner of the side panel.
4. Locate and remove the five rear screws that secure the back edge of the side panel to the oven (items "B" in the drawing above). Remove the side panel and insulation and set them aside.
5. Route the supply wires and the grounding wire through the hole on the back of the oven. Use a strain-relief fitting.
6. Attach each supply wire to the appropriate terminal of the contactor (according to wiring diagram).
7. Insert the ground wire into the grounding lug and tighten the screw.
8. Check that all connections match the wiring diagram and are tight.
9. Reattach the right-side panel and insulation; and front panel using screws removed in steps 1 thru 4.



CONTROL PANEL ACCESS AND SHUT-OFF SWITCH

To access the control panel components, remove the thumbscrew located at the top of the control panel. Once removed, pull the control panel downward. A wiring diagram for the oven can be found on the side of the control panel assembly. When the control panel is lowered, power to the panel is automatically shut off by a safety switch located just inside the opening, beneath the control panel. To re-energize the controls for troubleshooting purposes, lift the white plunger on the shut-off switch.

To fully remove the control panel, disconnect the temperature probe wires and harness connectors before sliding the panel out sideways.



PARTS

NOTICE

Installation of other than Genuine Southbend Parts will void the warranty on this equipment.

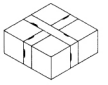
The serial plate with voltage, model, and serial information is located inside the lower front panel of the oven.

Replacement parts may be ordered either through a Southbend Authorized Parts Distributor or a Southbend Authorized Service Agency. It is recommended to verify part numbers with a Southbend Authorized Parts Supplier or the Southbend Parts/Service Dept. prior to ordering parts.

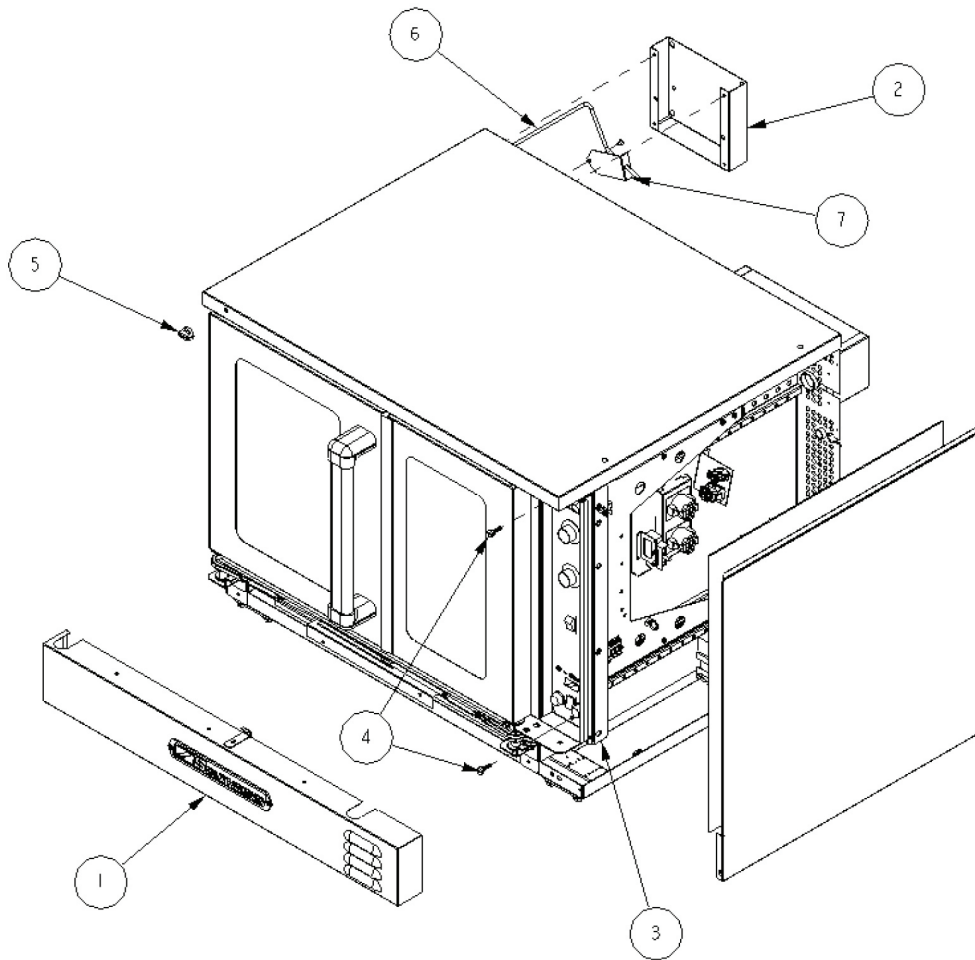
When ordering parts, you will need to supply the Model Number, Serial Number, Part Number, Description, Finish, and Electrical Characteristics as applicable to the unit.

For parts not listed, contact a Southbend Authorized Parts Distributor or Southbend Authorized Service Agency. You can find an Authorized Parts Distributor or Service Agency in your area by going to www.southbendnc.com/service.html. If this information is not available, contact the Parts/Service Dept. at Southbend to obtain specific part availability and information.

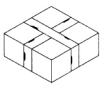
Index of Parts Diagrams	
PAGE NUMBER	DESCRIPTION
7	Front Panel and Flue Parts
8	Door Parts : Dependent Doors
9	Door Parts : Independent Doors
10	Door Chain Mechanism Parts
11	Control Panel Parts for Models with Standard Controls
13	Control Panel Parts for Models with Touch Control
15	Oven Interior and Fan Motor Parts
16	Oven Light Parts
17	Side Compartment Parts
18	Leg Parts for Single-Deck SilverStar Models
19	Storage Rack Parts
20	Double-Deck Oven Stacking Parts
21	Leg Parts for Double-Deck Ovens



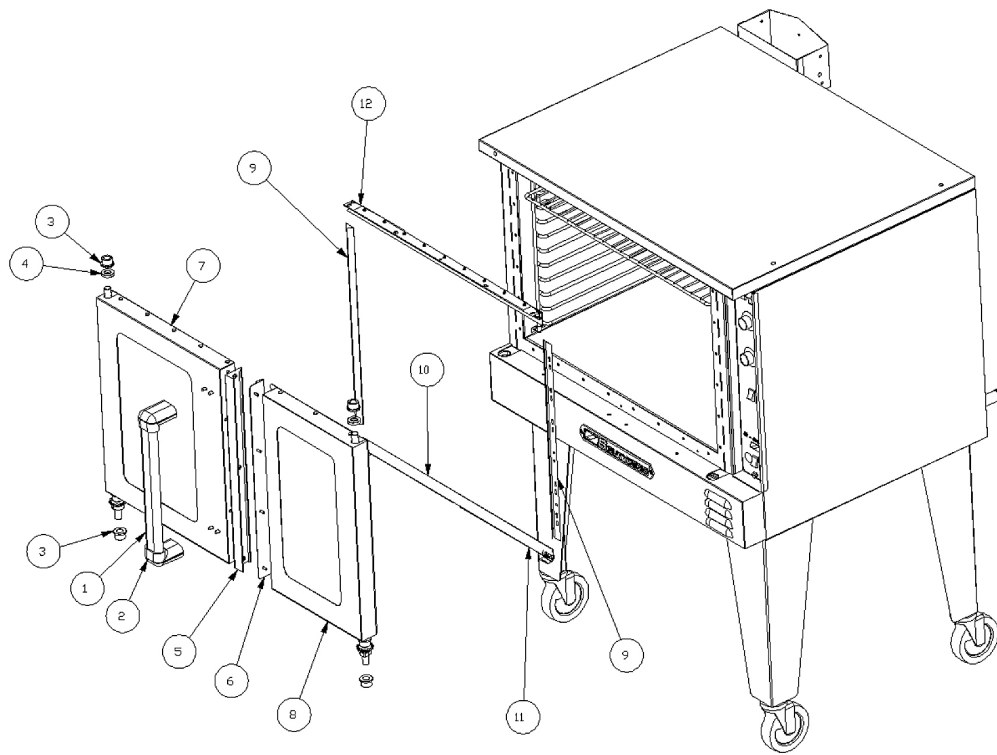
FRONT PANEL AND FLUE PARTS



KEY	PART NUMBER	QTY	DESCRIPTION
1	1177867	1	Panel, front louver, co
2	1175281	1	Cover, Vent
3	1197799	1	Control Panel Sealing Plate Assembly
4	1179703	2	Thumbscrew for control panel
5	1175401	1	Knob, Moisture vent
6	1181974	1	Cont rod, vent
7	1175277	1	Plate, vent

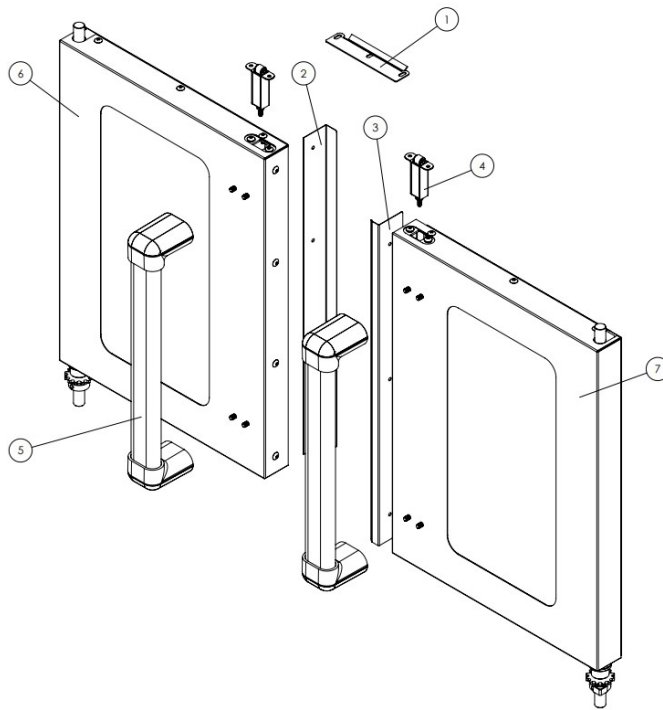


DOOR PARTS: DEPENDENT DOOR

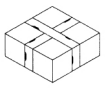


KEY	PART NUMBER	QTY	DESCRIPTION
1	1197269	1	Handle (part of left door assembly)
2	1197282	2	End Cap (part of left door assembly)
3	1164527	4	Bushing, bronze
4	1164547	2	Spacer, Door shaft
5	1197537	1	Center door seal, left door
6	1197526	1	Center strike plate, right door
	1197538	1	Center door seal, right door
7	1198056	1	Door assembly, left, window, CO
	1197732	1	Door assembly, left, solid, CO
8	1198057	1	Door assembly, right, window, CO
	1197736	1	Door assembly, right, solid, CO
9	1191438	2	Door seal, left & right, CO
10	1191444	1	Door seal, bottom, metal, CO
11	1197506	1	Door seal assembly, bottom, CO
12	1197502	1	Door seal assembly, top, CO

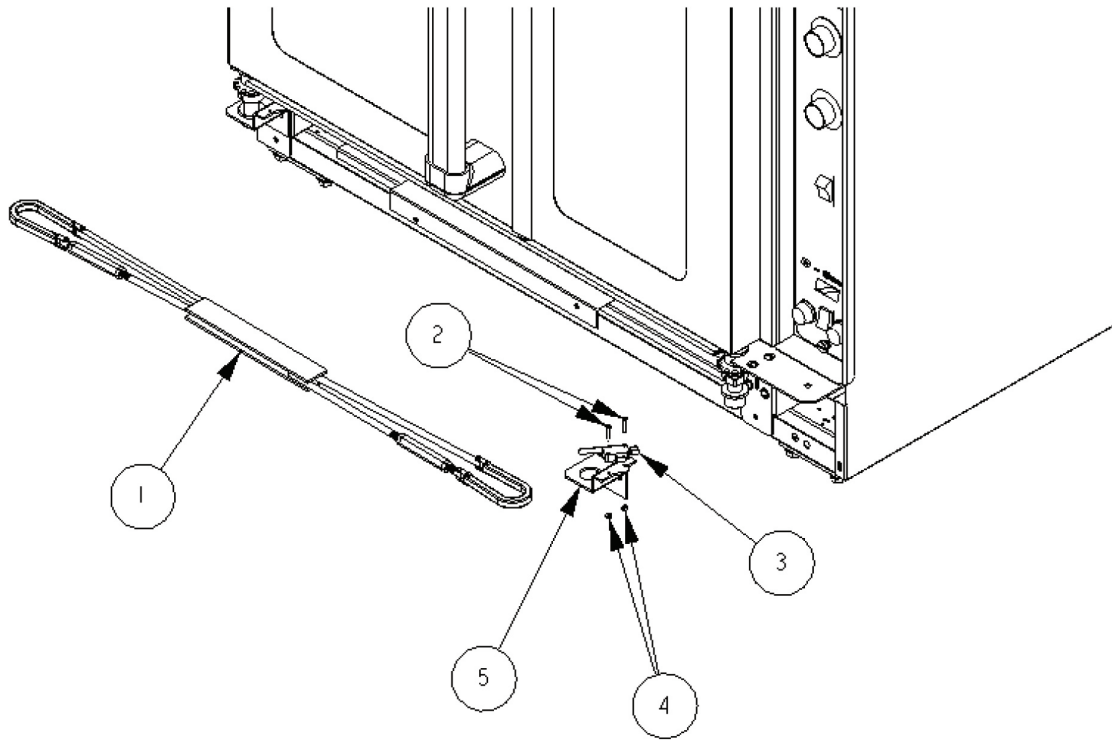
DOOR PARTS: INDEPENDENT DOOR



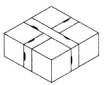
KEY	PART NUMBER	QTY	DESCRIPTION
1	1409231	1	Door latch
2	1409116	1	LT Door bracket, INDEP CO DOOR
3	1409114	1	RT Door bracket, INDEP CO DOOR
4	1409115	2	Handle brace, INDEP CO DOORS
5	1197269	2	Handle, TUBE, CO
6	1409241	1	LT Door assembly , INDEP CO DOOR
7	1409242	1	RT Door assembly, INDEP CO DOOR



DOOR CHAIN MECHANISM PARTS

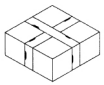


KEY	PART NUMBER	QTY	DESCRIPTION
1	1179937	1	Door Chain assembly
2	1172326	2	Screw, #4-40 x 3/4, zinc plated
3	1177567	1	Switch, door, spdt, 15 amp
4	1172327	2	Nut #4-40, zinc plated, hex
5	1181956	1	Bracket, door switch



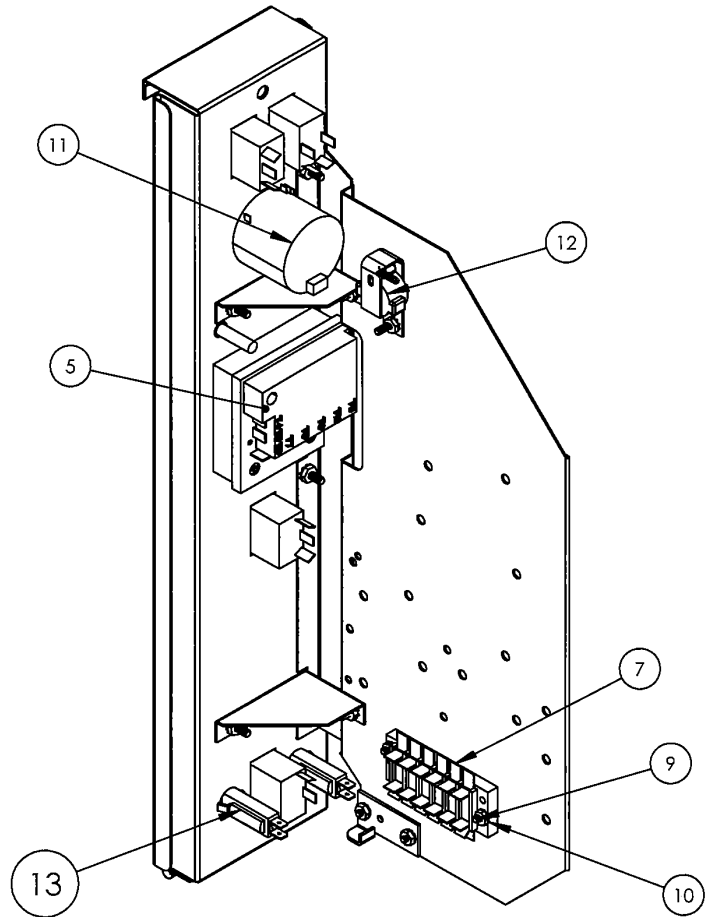
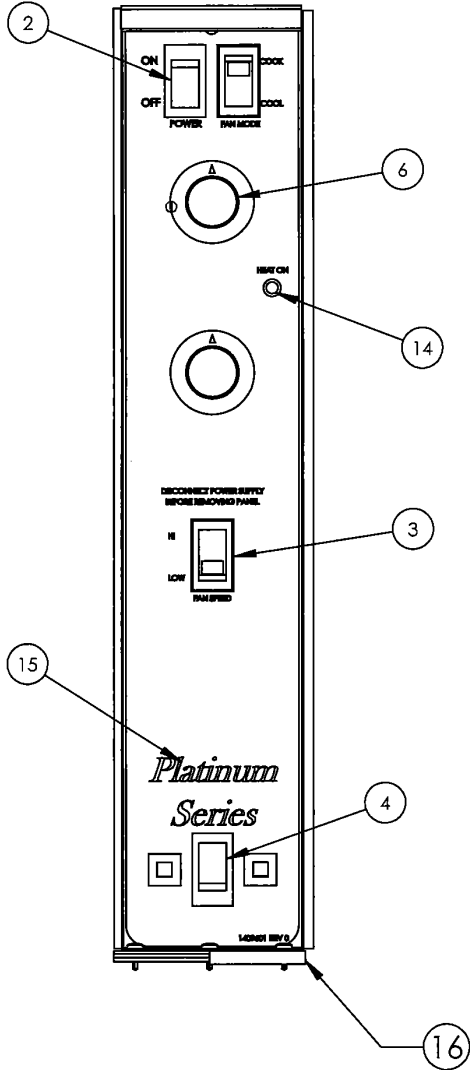
CONTROL PANEL PARTS FOR MODELS WITH STANDARD CONTROLS (S MODELS)

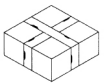
See drawing on following page.			
KEY	PART NUMBER	QTY	DESCRIPTION
-	1409297	1	CTL PNL ASM, SC ELEC 208-415V/60HZ
-	1409298	1	CTL PNL ASM, SC ELEC 208-415V/50HZ
-	1409329	1	CTL PNL ASM, SC ELEC 480V/60HZ
-	1409300	1	CTL PNL, SC ELEC 208-415V/60, CORR
-	1409301	1	CTL PNL, SC ELEC 208-415V/50, CORR
-	1409302	1	CTL PNL, SC ELEC 480V/60HZ, CORR
1	1409309	1	FRAME ASM, FULL TC, PIVOT
2	1177541	1	SWITCH, BLACK SMOOTHED(POWER)
3	1177540	2	SWITCH, BLACK SMOOTHED(FAN)
4	1177789	1	SWITCH, MOMENTARY, SPST(LIGHT)
5	1181998	1	CNTRL B/DIGITAL POTENTIOMETER
6	1170337	2	KNOB, 1/4" BORE
7	1170336	1	MARKER STRIP
8	1146319	1	SCREW,6-32X1/2 RND SLOT ZINC
9	1146397	3	SCREW,8-32X5/8,SS,PHIL,PAN HD
10	2001347	3	NUT,KEPS 8-32 ZP
11	1176416	1	TIMER, MOTORIZED, 60MIN,240-60
	1176436	1	TIMER, 60MIN,MOTORIZED,50 CYC
12	1175708	1	BUZZER, ADJUSTABLE, 220V, 60HZ
13	1170424	2	FUSEHOLDER (FOR UNITS BUILT BEFORE 09/2025)
14	1170350	1	LIGHT, AMBER 240V SIGNAL
15	1409002	1	POLYPANEL,PCE STANDARD (FOR UNITS BUILT BEFORE 09/2025)
	1409601	1	POLYPANEL,PCE STANDARD (FOR UNITS BUILT AFTER 10/2025)
16	1175046	1	HINGE, LT CONT.PNL(MALE) CONVECTION OVEN
*	6600334	2	SCREW, SELF-TAP,6-32X3/8
*	1161514	1	HINGE, LT CONT.PNL(MALE) CONVECTION OVEN
*	1170425	2	LP-CC-12 AMP FUSE (FOR UNITS BUILT BEFORE 09/2025)
	1409421	2	LP-CC-12 AMP FUSE (FOR UNITS BUILT AFTER 10/2025)
*	1179593	1	HARNESS,CNTL,208V-480V/SC/E
*	1179639	3	TERMINAL,FEMALE,18-22 FULL INS
*	1198084	1	TIE,WIRE TREE MNT.,1/4",H/T
*	Not Pictured		



CONTROL PANEL PARTS FOR MODELS WITH STANDARD CONTROLS (S MODELS)

See parts list on previous page.

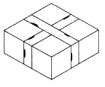




CONTROL PANEL PARTS FOR MODELS WITH TOUCH CONTROL (T MODELS)

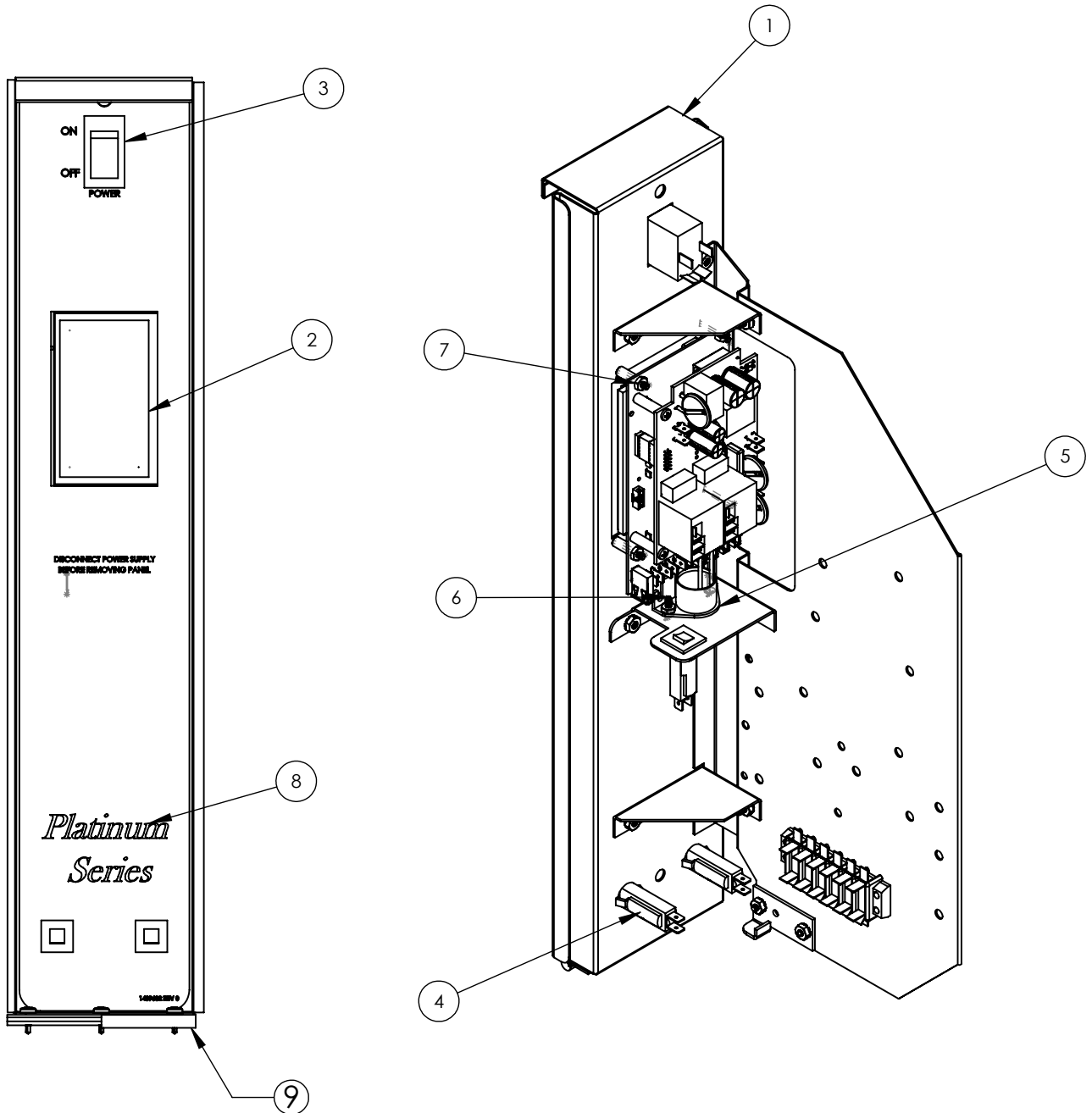
See drawing on following page.

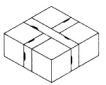
KEY	PART NUMBER	QTY	DESCRIPTION
-	1409303	1	CTL PNL ASM, TC ELEC 208-415V/60-50HZ
-	1409304	1	CTL PNL ASM, TC ELEC 480V/60HZ
-	1409326	1	CTL PNL ASM, TC ELEC 208-415V/60-50, CORR.
-	1409327	1	CTL PNL ASM, TC ELEC 480V/60HZ, CORR.
1	1409310	1	FRAME ASM, FULL TC, PIVOT
2	1407381	1	CONTROL, TOUCHSCREEN, CO
3	1177541	1	SWITCH, BLACK SMOOTHED(POWER)
4	1170424	3	FUSEHOLDER (FOR UNITS BUILT BEFORE 09/2025)
5	1408027	1	BUZZER ASSEMBLY, C/O
6	1146319	2	SCREW,6-32X1/2 RND SLOT ZINC
7	1146400	6	NUT, #6-32 HEX ZINC
8	1408986	1	POLYPANEL,PCE TOUCHSCREEN (FOR UNITS BUILT BEFORE 09/2025)
	1409602	1	POLYPANEL,PCE TOUCHSCREEN (FOR UNITS BUILT AFTER 10/2025)
9	1175046	1	HINGE, LT CONT.PNL(MALE) CONVECTION OVEN
*	1170425	2	LP-CC-12 AMP FUSE (FOR UNITS BUILT BEFORE 09/2025)
	1409421	2	LP-CC-12 AMP FUSE (FOR UNITS BUILT AFTER 10/2025)
*	1198084	2	TIE,WIRE TREE MNT.,1/4",H/T
*	1408014	1	WIRING HARNESS,TC,ELECTRIC
*	1408028	1	LP-CC-2 AMP FUSE, C/O (FOR UNITS BUILT BEFORE 09/2025)
	1409422	1	LP-CC-2 AMP FUSE, C/O (FOR UNITS BUILT AFTER 10/2025)
*	Not Pictured		



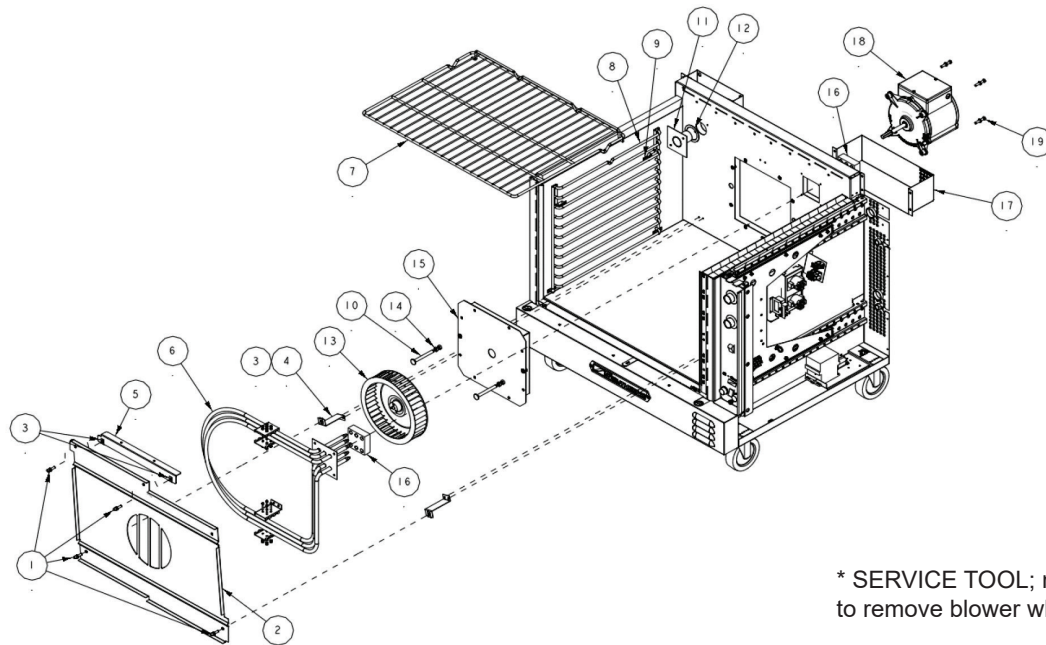
CONTROL PANEL PARTS FOR MODELS WITH TOUCH CONTROL (T MODELS)

See parts list on previous page.



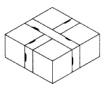


OVEN INTERIOR AND FAN MOTOR PARTS

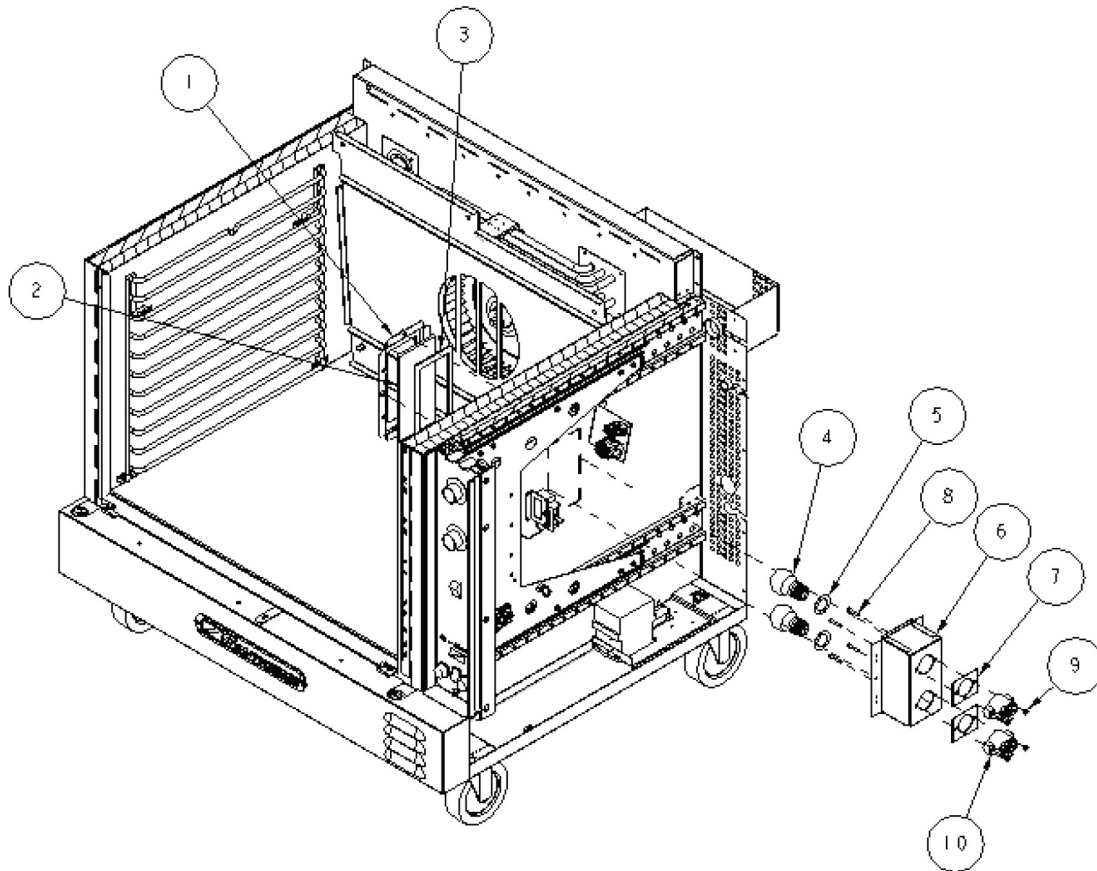


* SERVICE TOOL; may be needed to remove blower wheel.

KEY	PART NUMBER	QTY	DESCRIPTION
1	1160289	4	Thumb screw 1/4-20 x 3/4
2	1181977	1	Baffle, oven, cr, Elec., C/O
3	1166819	4	Nut, 1/4 x 20, speed
4	1175412	2	Bracket, baffle mtg
5	1175715	1	Bracket, baffle locating
6	1175263	1	Element asm. 208V
	1175264	1	Element asm. 240V
	1175414	1	Element asm. 380V
	1175265	1	Element asm. 480V
7	1189821	5	Rack, oven, shallow, mg (For units built before 10/13/2025)
	1409368	5	Rack, oven, shallow, mg (For units built after 10/13/2025)
	1189860	5	Rack, oven, bakery. mg, (For units built before 10/13/2025)
	1409366	5	Rack, oven, bakery. mg (For units built after 10/13/2025)
8	1189820	2	Rack guide, 11 pos, shallow (For units built before 10/13/2025)
	1409367	2	Rack guide, 11 pos, shallow (For units built after 10/13/2025)
	1189822	2	Rack guide, 11 pos, bakery (For units built before 10/13/2025)
	1409365	2	Rack guide, 11 pos, bakery (For units built after 10/13/2025)
9	6660	8	Clip, side rack support
10	1175146	1	Bolt, carriage, 3/8, ss
11	1175407	1	Tube, w/a, moisture vent
12	1080303	1	Gasket, silicone, .062 ga.
13	1179104	1	Blower wheel
*	1179100	**	Puller disk
14	1175146	4	Nut, 3/8, ss
15	1175705	1	Pocket w/a, blower motor
16	1195439	2	Insulation, elements
17	1175256	1	Cover, rear, elements
18	1175568	1	Motor, 2sp, 230V, 50/60 cycle
19	1146264	4	Screw, 1/4-20 x 2

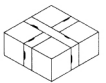


OVEN LIGHT PARTS

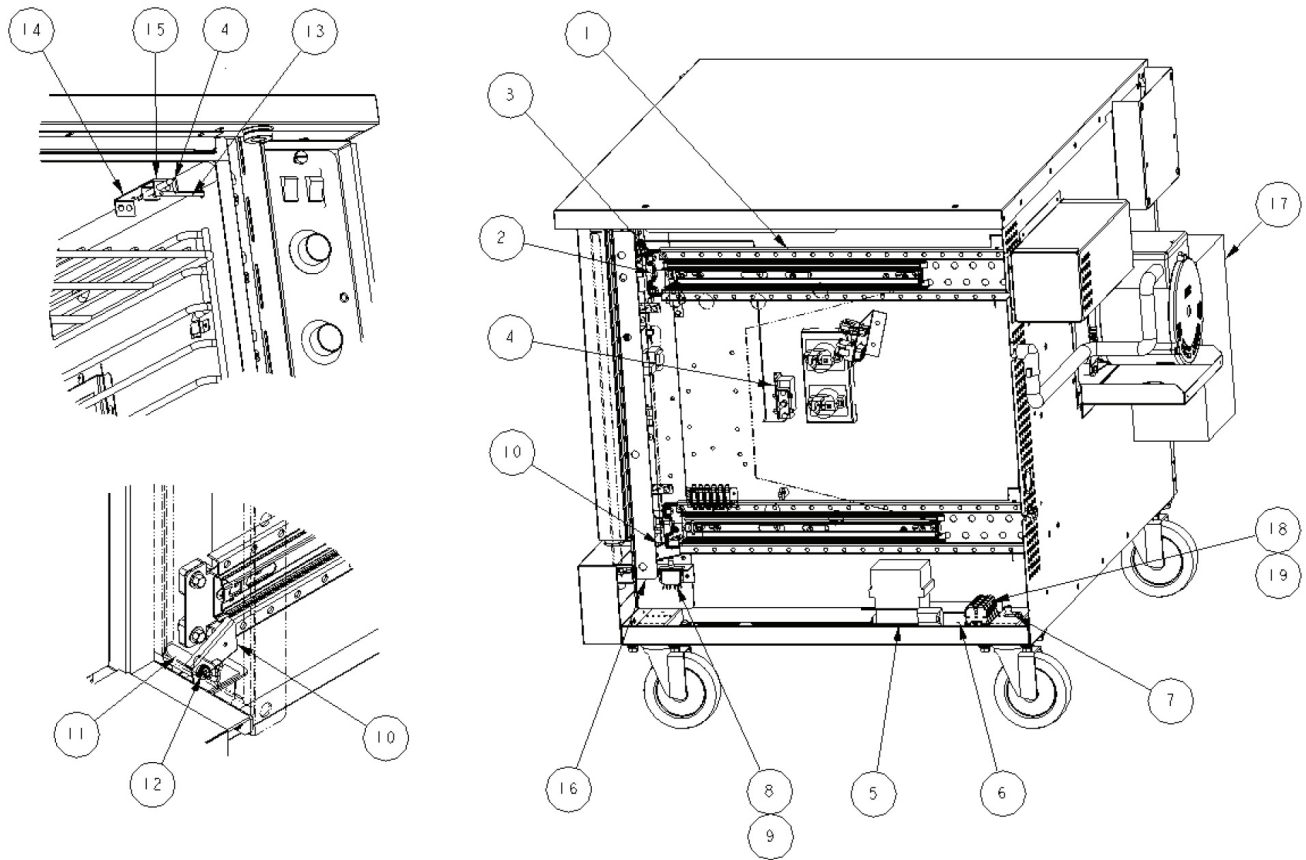


KEY	PART NUMBER	QTY	DESCRIPTION
1	1181806	1	Retainer, glass, co
2	1181807	1	Glass, bulb cover, co
3	1197730	1	Seal, Teflon
4-10	1181828	1	Oven light subassembly, co (parts 3 through 7, assembled)
4	1160009	2	Bulb, oven light, 40 watt, clear
5	P6497	2	Gasket, Teflon, white
6	1181805	1	Light box, co
7	1160032	2	Gasket, light socket, .062 ga
8	1146322	4	Screw, 8-32X1 round head
9	2001347	4	Nut, Locking, KEPS
10	1160010	2	Socket, oven light asm

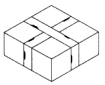
* not shown on drawing.



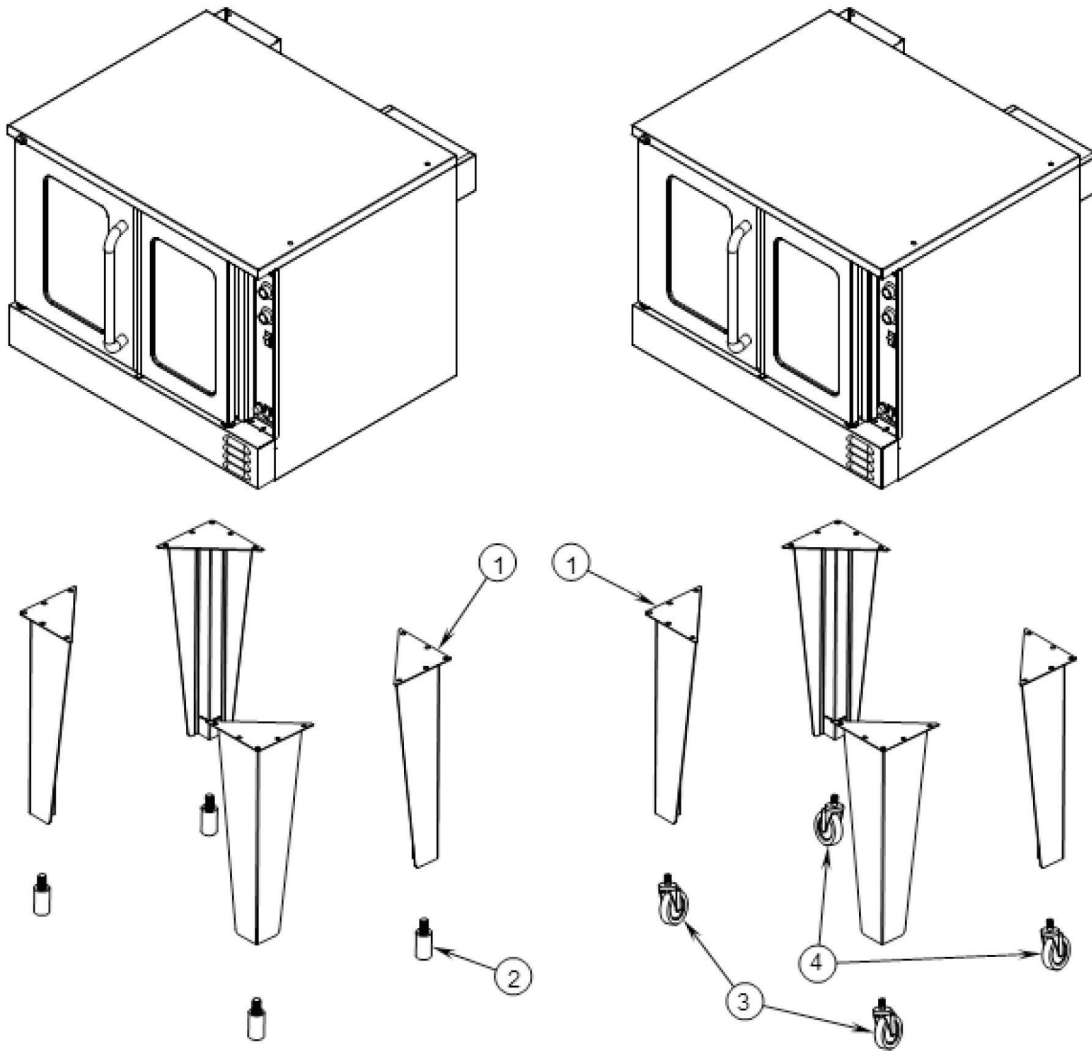
SIDE COMPARTMENT PARTS



KEY	PART NUMBER	QTY	DESCRIPTION
1	1197805	2	Slide mounting asm. (std depth)
	1197806	2	Slide mounting asm. (bakery depth)
2	1197777	2	Shim,Slide support
3	1188525	4	Bolt, Hex, flng hd 1/4-20 x 1.00 lg, ss
4	1161998	1	Switch, High limit
5	1179680	1	Contactor, element power
6	1175724	2	Mntg brkt, contactor
7	1175547	1	Lug, grounding
8	1177566	1	Switch, shutdown, SPDT, 15 amp
9	1197586	1	Brkt, switch mount
10	1197756	1	Pivot, S/O Switch
11	1198006	1	Spacer, pivot
12	1198004	1	Bolt, shoulder, 5/16 x 1-1/2 lg. (1/4-20 thread)
13	1181996	1	Probe, Thermostat
14	1170328	1	Brkt, probe
15	1171710	1	Clamp brkt, probe
16	1197799	1	Sealing plate asm.
17	1170373	1	Transformer, (480V units ONLY)
18	PE-024	1	Term block end (380V & 415V units ONLY)
19	PE-023	3	Term block (380V & 415V units ONLY)

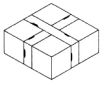


LEG PARTS FOR SINGLE-DECK MODELS

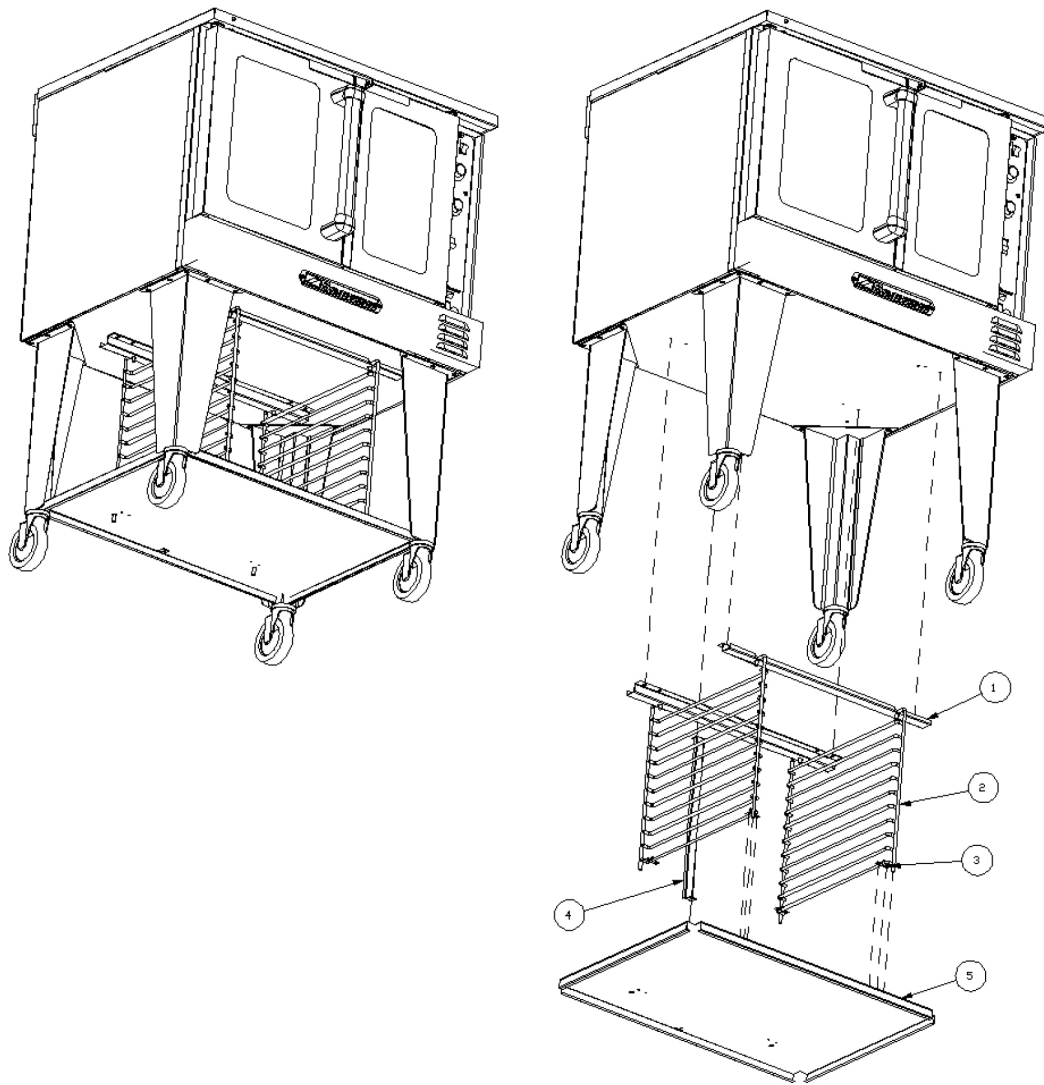


KEY	PART NUMBER	QTY	DESCRIPTION
1	1184005	4	Single deck leg (for legs with feet or casters)
2	1174266	4	Adjustable foot for leg
*	1173584	4	Flanged foot (optional replacement for adjustable foot 1174266)
3	1174264	2	Caster with brake
4	1174263	2	Caster without brake
*	1174265	1	Set of four casters (two with brake, two without brake)
*	1146213	20	3/8 x 16 x 1 hex head bolt
*	1146513	20	3/8 lock washer
*	1146522	20	3/8 flat washer

* not shown on drawing.

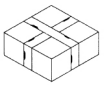


STORAGE RACK PARTS

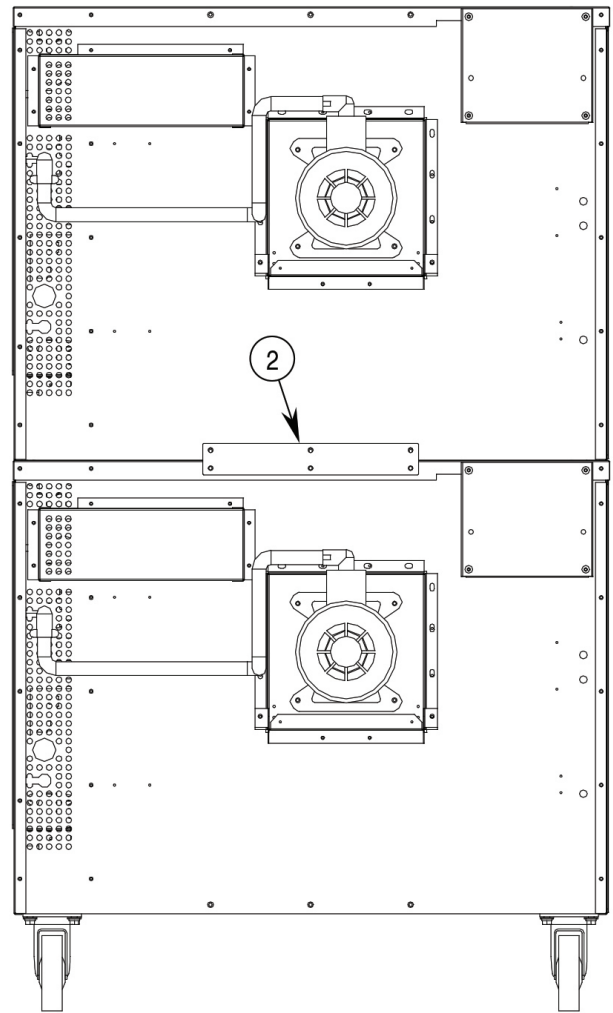
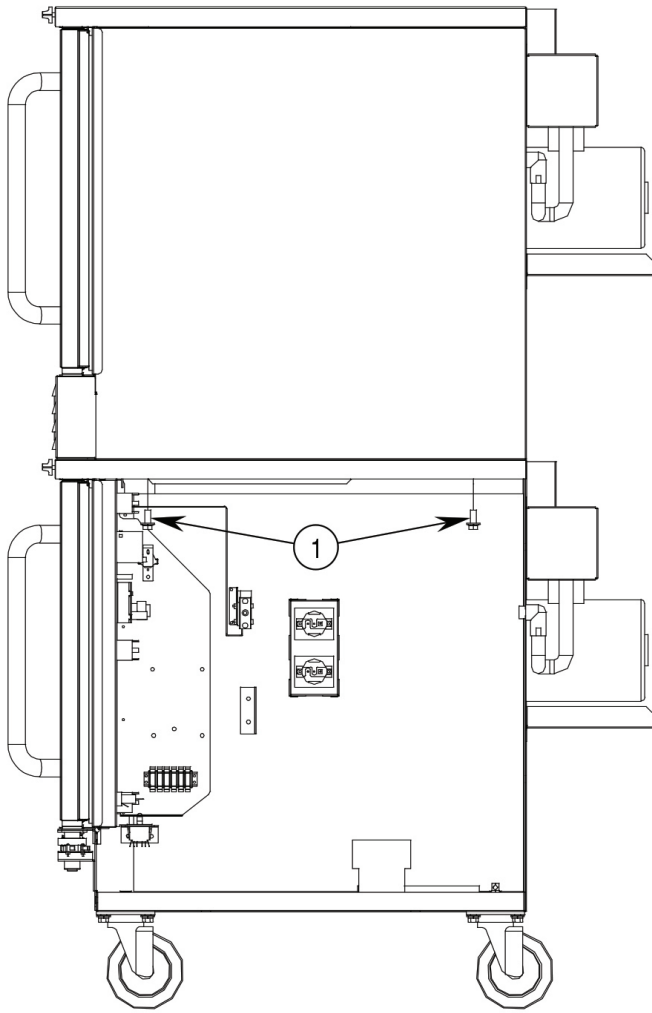


KEY	PART NUMBER	QTY	DESCRIPTION
-	1184044	1	Cooling pan kit, with shelf, bakery depth
-	1184046	1	Cooling pan kit, with shelf, shallow depth
1	1184022	2	Rack hanger
2	1175438	2	Rack guide, 11 pos. shallow
	1175439	2	Rack guide, 11 pos. bakery
3	6660	8	Clip, side rack support
4	1184025	1	Stop channel
5	1184019	1	Shelf, open rack, shallow
	1184023	1	Shelf, open rack, bakery
*	1146304	18	10 x 1/2 Phillips screw

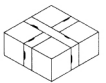
* not shown on drawing.



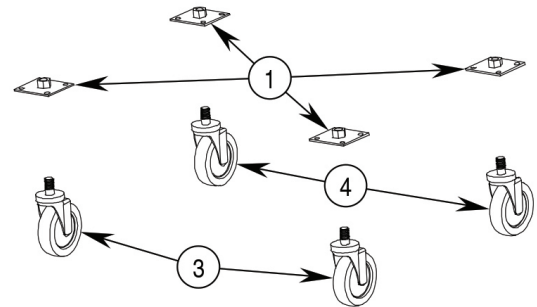
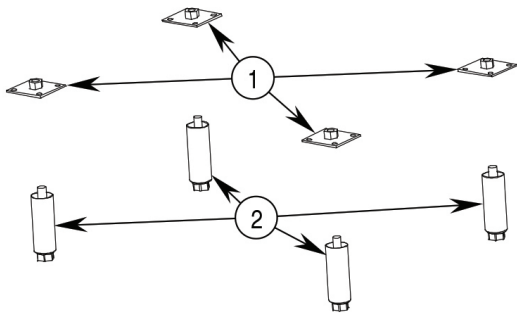
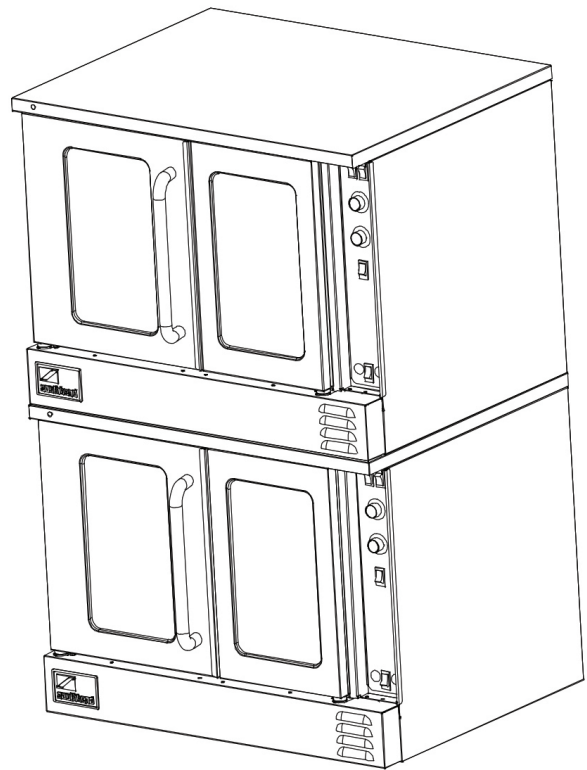
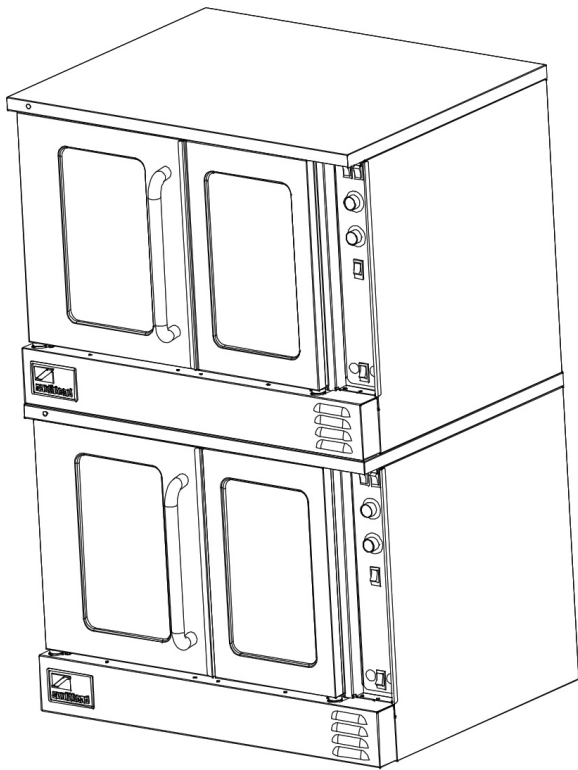
DOUBLE-DECK OVEN STACKING PARTS



KEY	PART NUMBER	QTY	DESCRIPTION
1	1146213	2	Bolts
2	1175085	1	Tie bracket



LEG PARTS FOR DOUBLE-DECK OVENS



KEY	PART NUMBER	QTY	DESCRIPTION
1	1172788	4	Leg pad
2	1174259	4	SS leg, 3/4" stud
*	1174260	1	Leg package (set of four legs only)
3	1174264	2	Caster with brake
4	1174263	2	Caster without brake
*	1174265	1	Set of four casters (two with brake, two without brake)
*	1146213	16	3/8 x 16 x 1 hex head bolt
*	1146513	16	3/8 lock washer
*	1146522	16	3/8 flat washer

* not shown on drawing.

USER & MAINTENANCE NOTES:

PLATINUM SERIES ELECTRIC CONVECTION OVEN PARTS MANUAL



A product with the Southbend name incorporates the best in durability and low maintenance. We all recognize, however, that replacement parts and occasional professional service may be necessary to extend the useful life of this appliance. When service is needed, contact a Southbend Authorized Service Agency, or your dealer. To avoid confusion, always refer to the model number, serial number, and type of your appliance.



SOUTHBEND

 MIDDLEBY A Middleby Company

1100 Old Honeycutt Road Fuquay-Varina, North Carolina 27526 USA
www.southbendnc.com